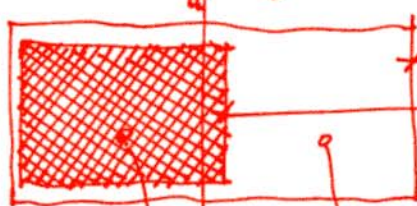


STUDIO PROJECT : MEGAN COYLE

A BUILDING THAT BENEFITS FROM AN URBAN COMPOSTING SYSTEM. HARVESTING METHANE GAS & HEAT DURING COMPOSTING CYCLE FOR BUILDING ENERGY BENEFITS.

HPE_Arch 510
5 details assignment
week 6
double skin system.

(PLAN DIAGRAM:)



louver system - outer skin

interior window / curtain wall system - inner skin.

interior ventilated space for composting system.

exists as part of an extended space between typical functional interior spaces.

louver system operates to release excess, non collected heat from compost bins.

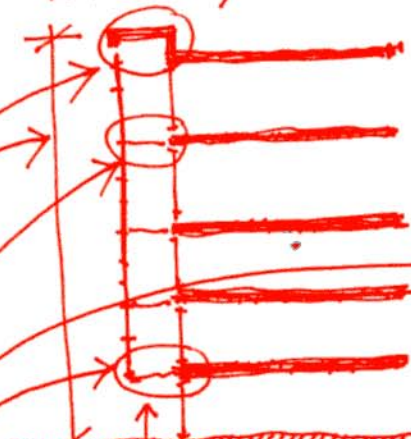
louvers intended to ventilate & display ^{waste} system to public.

typical programmatic building that exists to the interior of the second skin.

includes retail, offices, classrooms, etc.

multiple floors.

(SECTION DESIGN:)



not sure if i want the outer skin to run to the ground or sit above the entrance / 1st floor to create depth, transition. for details... trying to terminate @ 2 level slab.

(3D sketch)



somehow drops down to floor level @ corner? maybe.

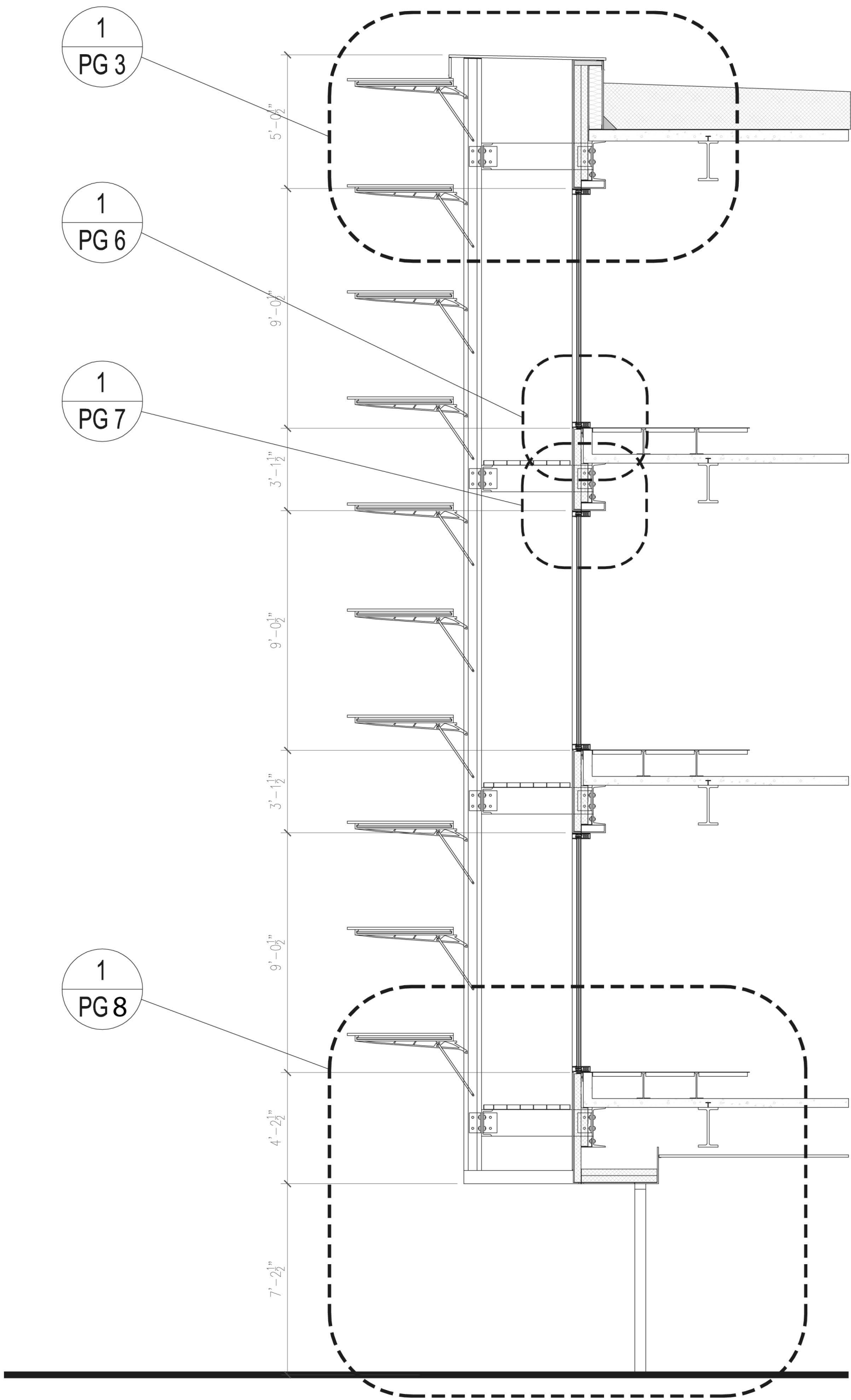
DETAILS

REFERENCED BUILT PROJECTS :

1. SAUERBRUCH HUTTEN ARCHITECTS
FIRE & POLICE STATION IN BERLIN.

2. KRAANSPOR OFFICE BUILDING
AMSTERDAM.

ARCHITECT: OTH OUTWERPgroep Thede Harykaas



PRODUCED BY AN AUTODESK EDUCATIONAL PRODUCT

PRODUCED BY AN AUTODESK EDUCATIONAL PRODUCT

1

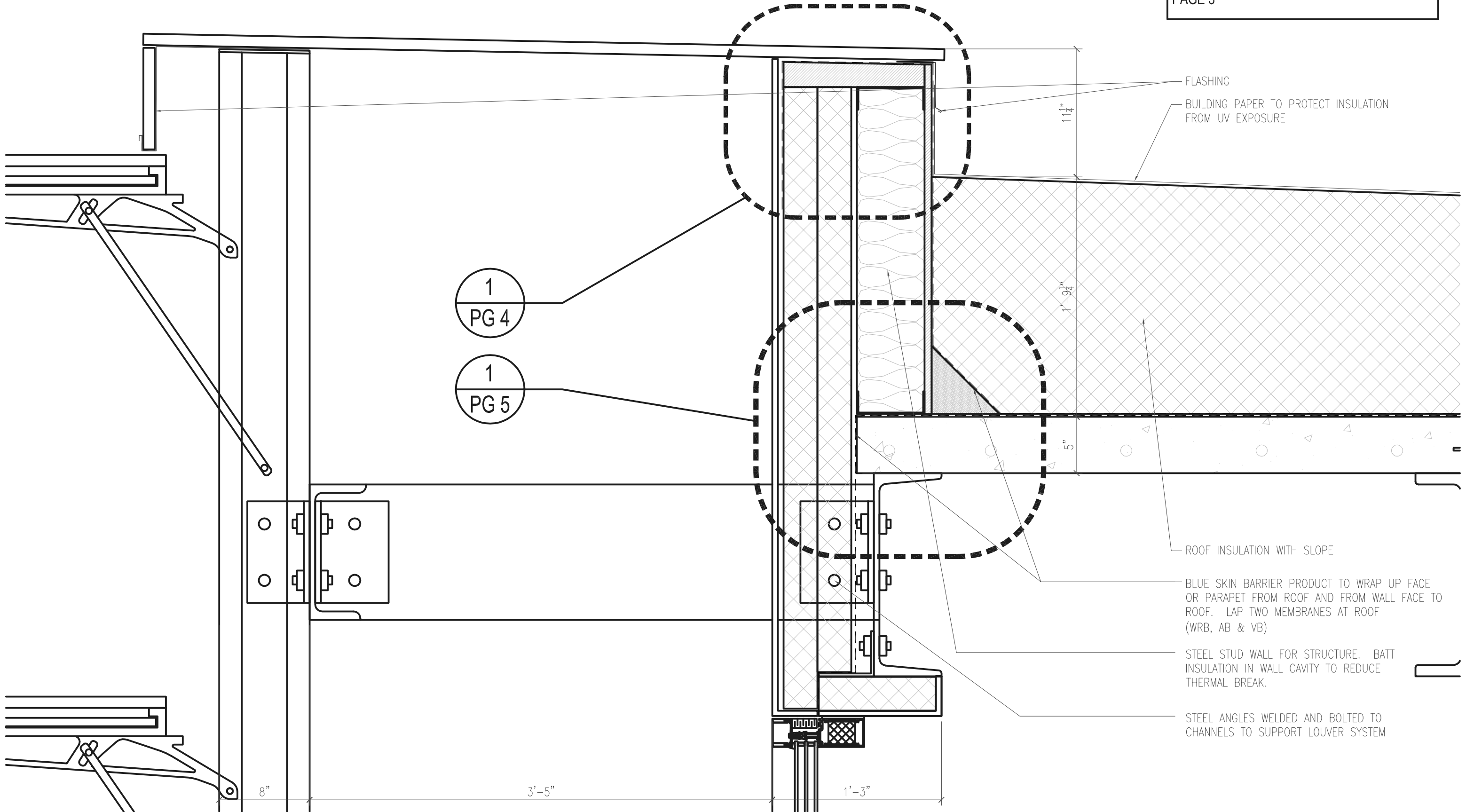
WALL SECTION
SCALE: 1/4" = 1'-0"

1

PARAPET DETAIL

SCALE: 1 1/2" = 1'-0"

ARCH 510 HIGH PERFORMANCE ENVELOPES
ASSIGNMENT WEEK 6 - 5 HP DETAILS
MEGAN COYLE
PAGE 3



PRODUCED BY AN AUTODESK EDUCATIONAL PRODUCT

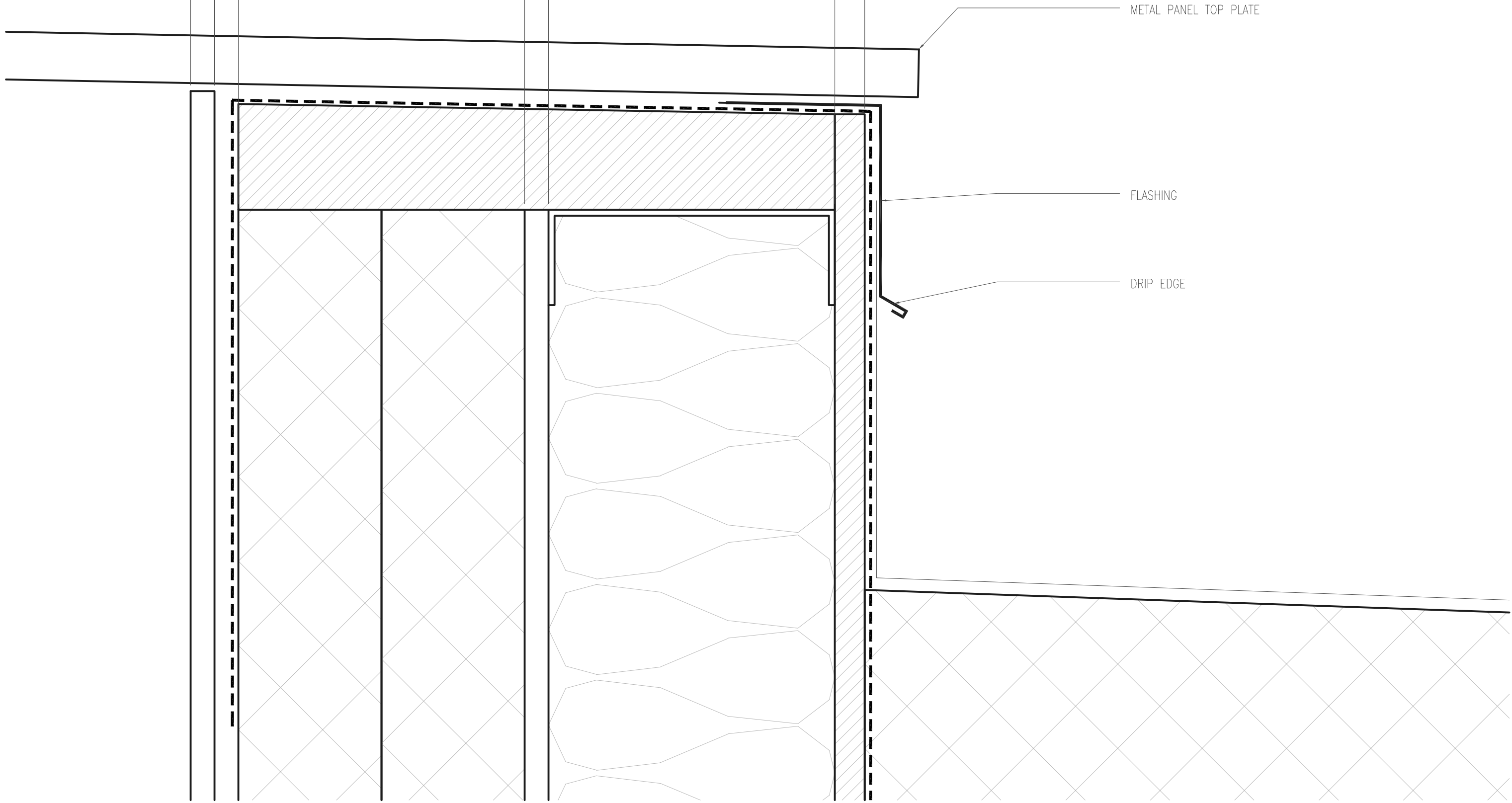
PRODUCED BY AN AUTODESK EDUCATIONAL PRODUCT

1

PARAPET DETAIL

SCALE: 6" = 1'-0"

ARCH 510 HIGH PERFORMANCE ENVELOPES
ASSIGNMENT WEEK 6 - 5 HP DETAILS
MEGAN COYLE
PAGE 4



METAL PANEL TOP PLATE

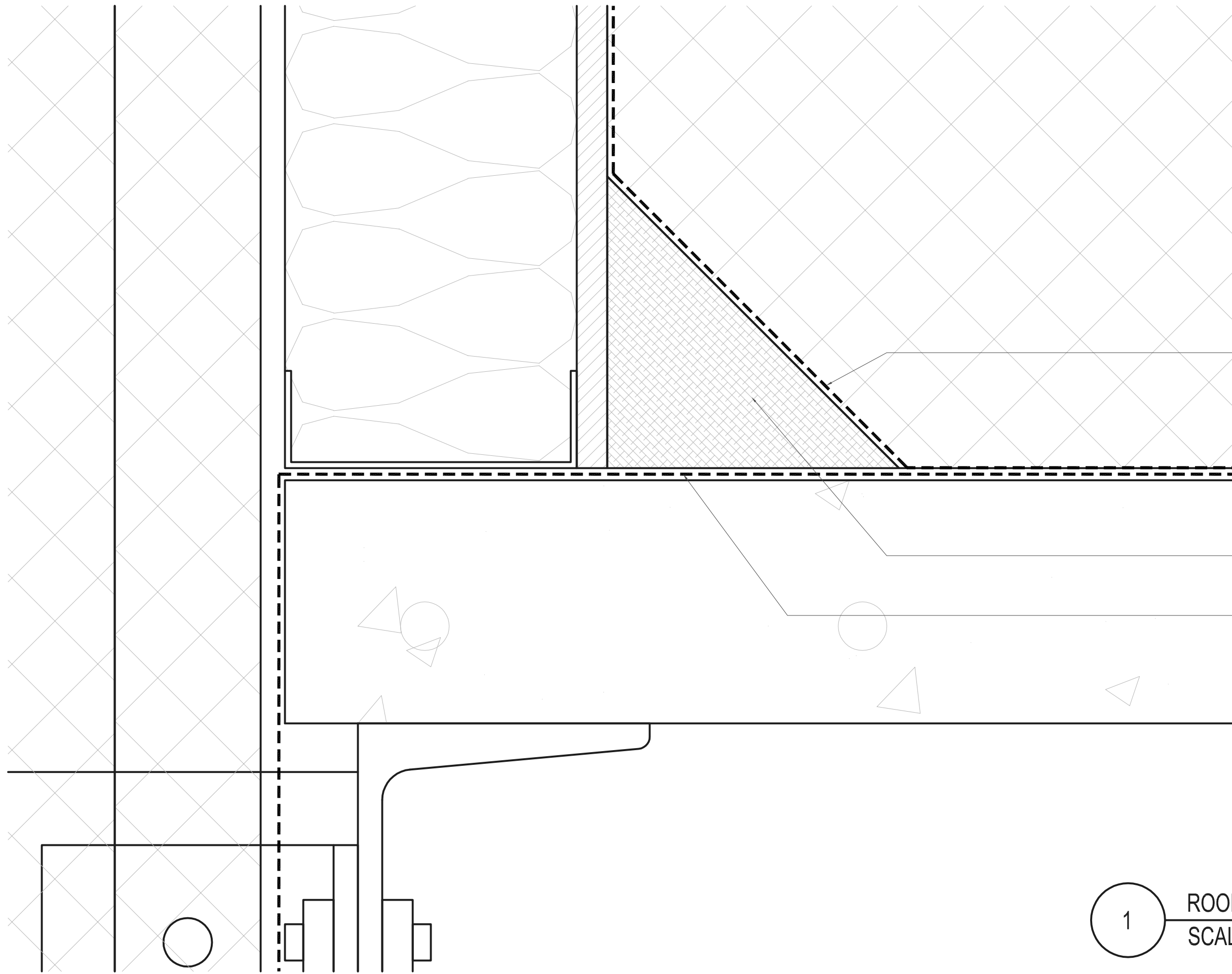
FLASHING

DRIP EDGE

PRODUCED BY AN AUTODESK EDUCATIONAL PRODUCT

PRODUCED BY AN AUTODESK EDUCATIONAL PRODUCT

ARCH 510 HIGH PERFORMANCE ENVELOPES
ASSIGNMENT WEEK 6 - 5 HP DETAILS
MEGAN COYLE
PAGE 5



BLUE SKIN MEMBRANE TO WRAP FROM TOP OF
PARAPET TO INSIDE FACE OF PARAPET TO ROOF
DECK

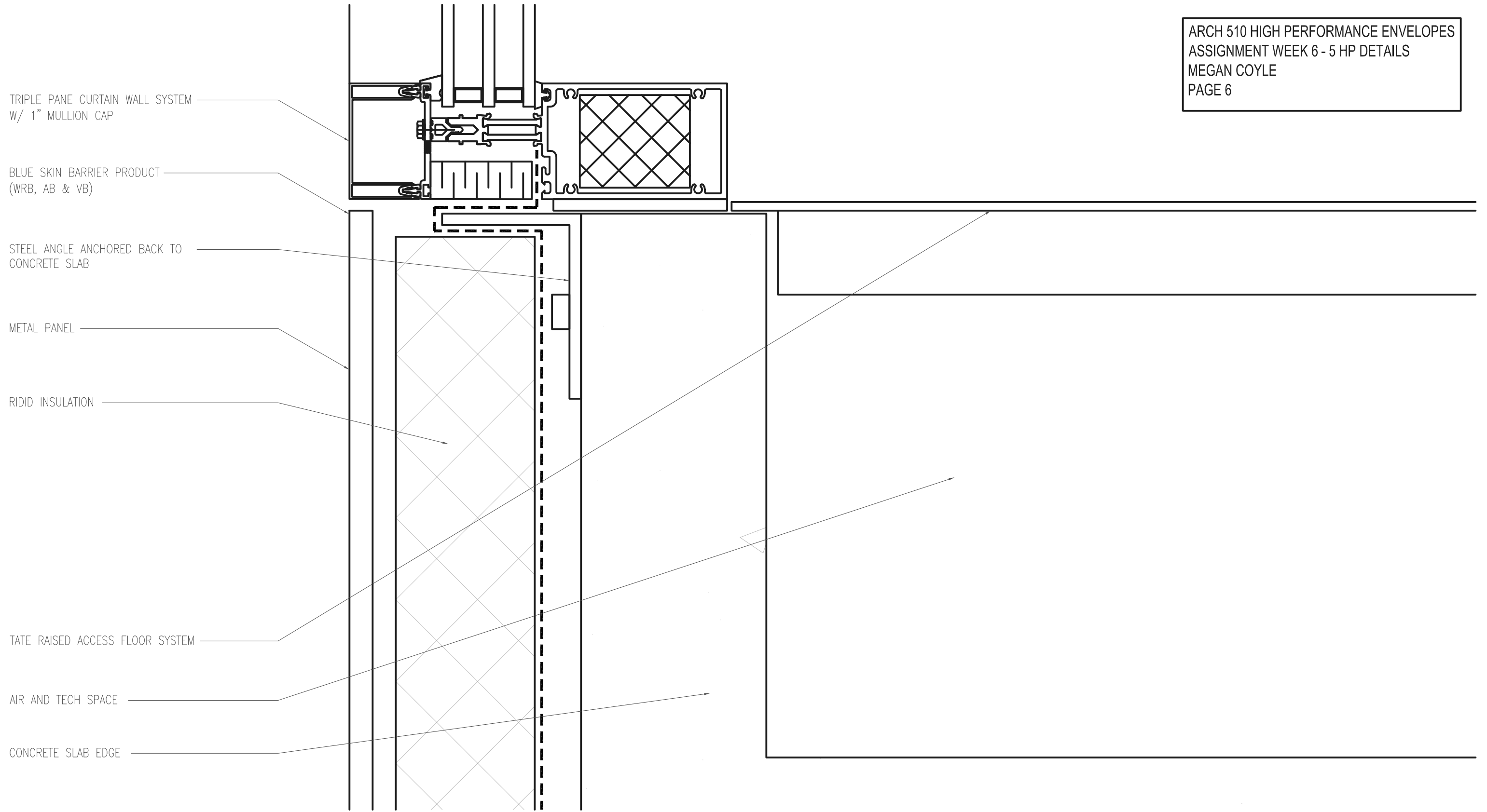
WEDGE @ CORNER TO ENCOURAGE WATER FLOW

SECOND LAYER OF BLUE SKIN MEMBRANE TO WRAP
FROM ROOF DECK TO WALL FACE

1

ROOF DETAIL
SCALE: 6" = 1'-0"

ARCH 510 HIGH PERFORMANCE ENVELOPES
ASSIGNMENT WEEK 6 - 5 HP DETAILS
MEGAN COYLE
PAGE 6



TRIPLE PANE CURTAIN WALL SYSTEM
W/ 1" MULLION CAP

BLUE SKIN BARRIER PRODUCT
(WRB, AB & VB)

STEEL ANGLE ANCHORED BACK TO
CONCRETE SLAB

METAL PANEL

RIDID INSULATION

TATE RAISED ACCESS FLOOR SYSTEM

AIR AND TECH SPACE

CONCRETE SLAB EDGE

PRODUCED BY AN AUTODESK EDUCATIONAL PRODUCT

PRODUCED BY AN AUTODESK EDUCATIONAL PRODUCT

1

WINDOW SILL DETAIL

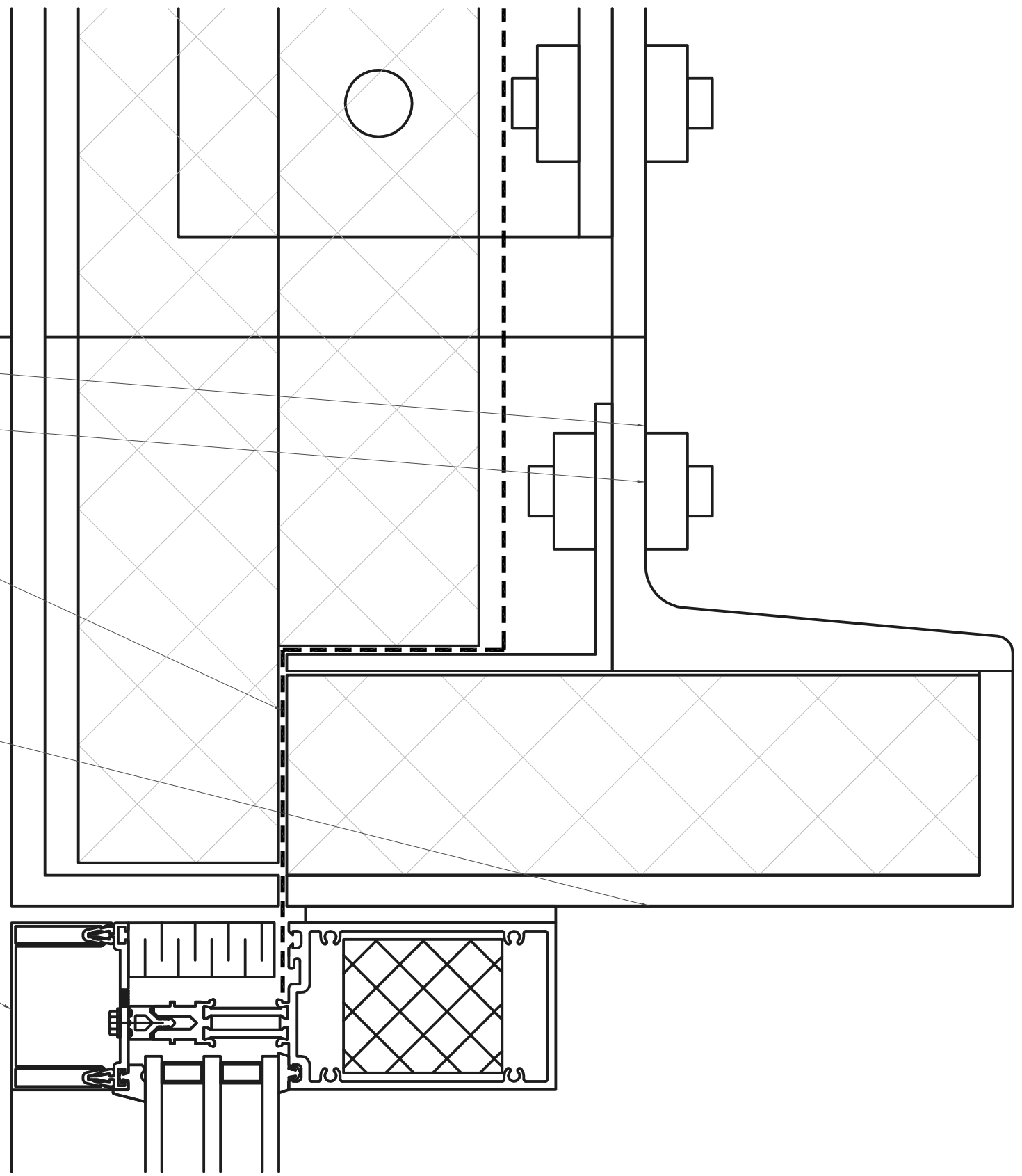
SCALE: 6" = 1'-0"

ARCH 510 HIGH PERFORMANCE ENVELOPES
ASSIGNMENT WEEK 6 - 5 HP DETAILS
MEGAN COYLE
PAGE 7

PRODUCED BY AN AUTODESK EDUCATIONAL PRODUCT

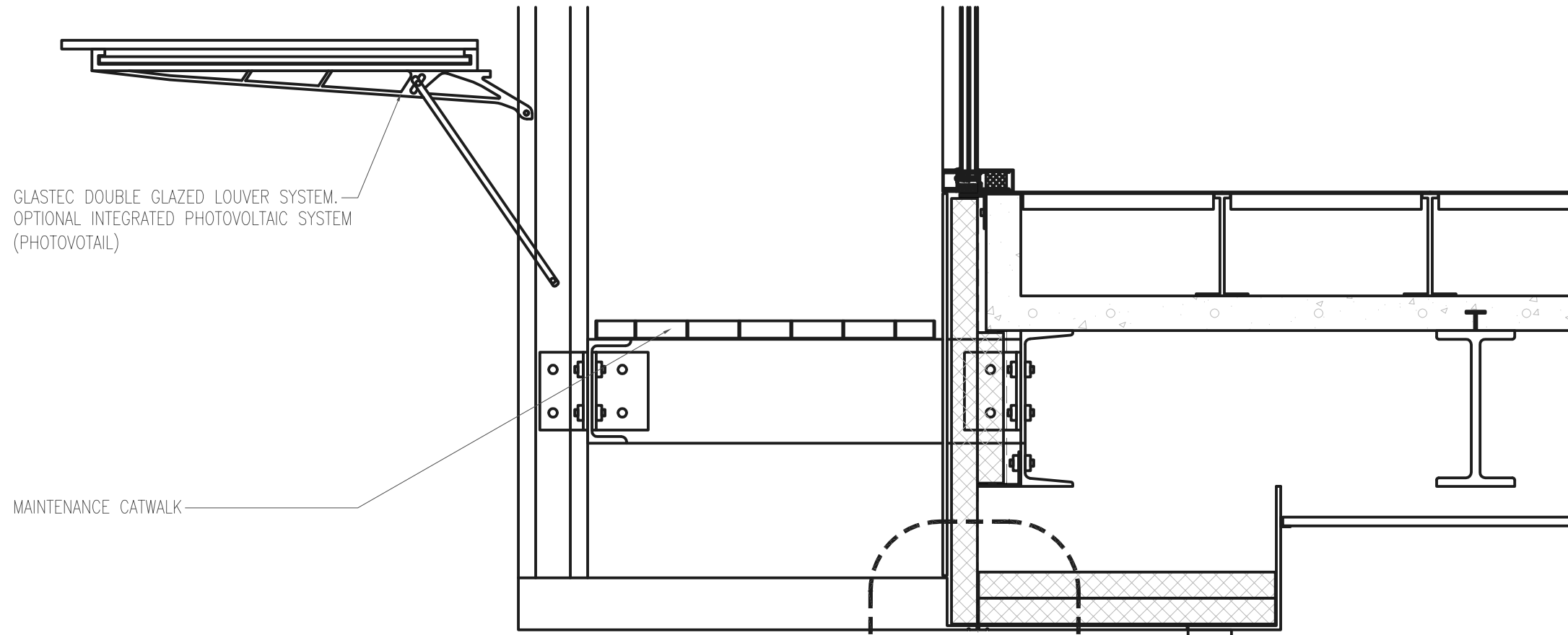
PRODUCED BY AN AUTODESK EDUCATIONAL PRODUCT

- STEEL CHANNEL
- RIGID INSULATION
- BLUE SKIN BARRIER PRODUCT (WRB, AB & VB)
- SOFFIT WITH INTERIOR FINISHES
- TRIPLE PANE CURTAIN WALL SYSTEM W/ 1" MULLION CAP



1 WINDOW HEAD DETAIL
SCALE: 6" = 1'-0"

ARCH 510 HIGH PERFORMANCE ENVELOPES
ASSIGNMENT WEEK 6 - 5 HP DETAILS
MEGAN COYLE
PAGE 8

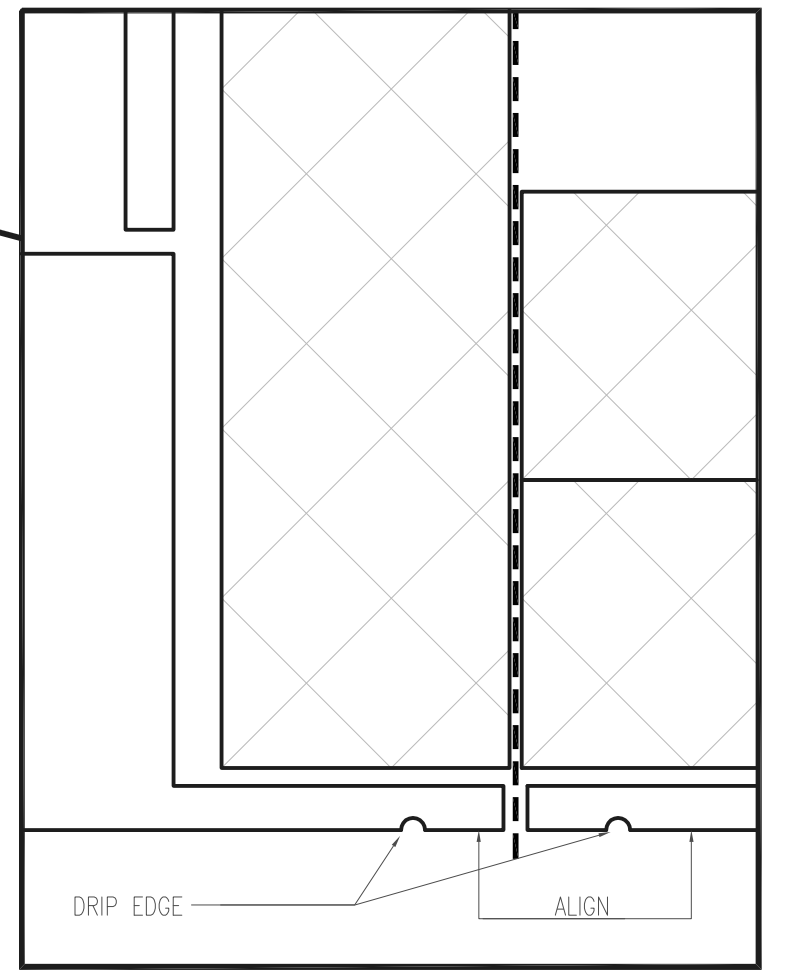


GLASTEC DOUBLE GLAZED LOUVER SYSTEM.
OPTIONAL INTEGRATED PHOTOVOLTAIC SYSTEM
(PHOTOVOTAIL)

MAINTENANCE CATWALK

2

SOFFIT DETAIL
SCALE: 6" = 1'-0"



1

BOTTOM OF DOUBLE SKIN
SCALE: 3/4" = 1'-0"

PRODUCED BY AN AUTODESK EDUCATIONAL PRODUCT

PRODUCED BY AN AUTODESK EDUCATIONAL PRODUCT